



ACTIVELY VENTILATED SHIELDS

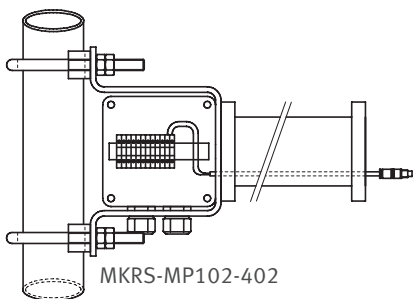
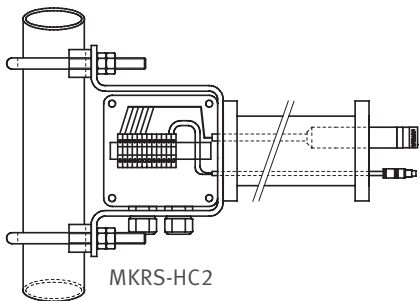
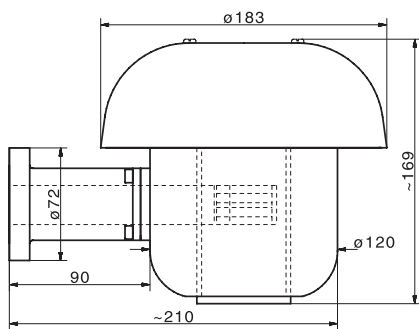
The ventilated weather and radiation protection shield RS12T with 12 VDC fan and RS24T with 24 VDC fan were developed in close cooperation with MeteoSwitzerland. This state-of-the-art device reduces the influences of thermal radiation on humidity and temperature measured values to a minimum.

Applications

Snow guns, weather stations, agricultural meteorology and building management systems

Features

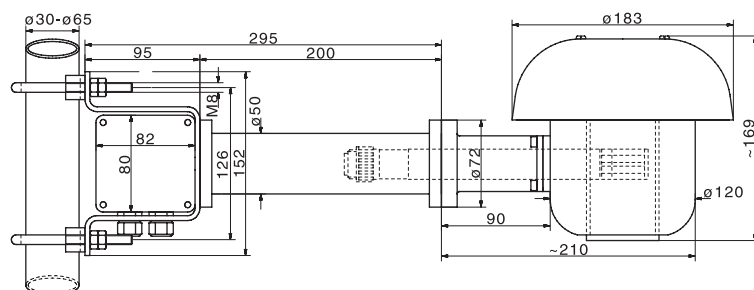
- Easy-to-install protective shield with integrated fan
- Special white coating (RAL 9010) minimizes solar heating
- Simple probe mounting
- Suitable for various probes



Order code	RS12T	RS24T
Range of application	-30...60 °C	
Material	Aluminum, POM, RAL 9010	
Power supply	12 VDC, 2 W	24 VDC
Fan	Papst fan IP54	
Ventilation	3.5 m/s / 900 l/min.	
Fan lifetime	At 40 °C ~70,000 h (approx. 8 years)	

Order code	MKRS-HC2	MKRS-MP102-402
Use with	HC2-S3/S3H	MP102H/402H
Probe connection	E2 connector	Open ends to terminals
Mast diameter	30-65 mm	

Additional models available on request



COMPATIBLE

- Mounting sets

INCLUDED

- Installation instructions