

Meteo M&R

precipitation detection



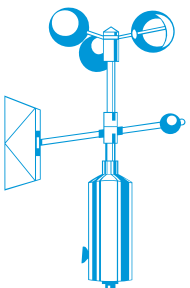
RSG-4 & 8RA-4 precipitation alarm

PRECIPITATION SENSOR & SIGNAL CONVERTER

GOLDPLATED & CORROSION RESISTANT

HEATING ELEMENTS & ADJUSTABLE SWITCH OVER

The rain alarm consists of a sensor model RSG-4 and a signal converter model 8RA-4. The instrument provides a switch-over contact when it rains. The sensor is gold-plated and corrosion resistant.



ingenieursbureau **wittich & visser**

scientific and meteorological instruments

precipitation detection

precipitation alarm

sensor RSG4

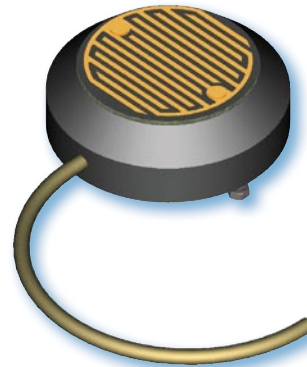
converter 8RA4

The rain alarm consists of a sensor model RSG-4 and a signal converter model 8RA-4 and provides a switch-over contact when it rains.

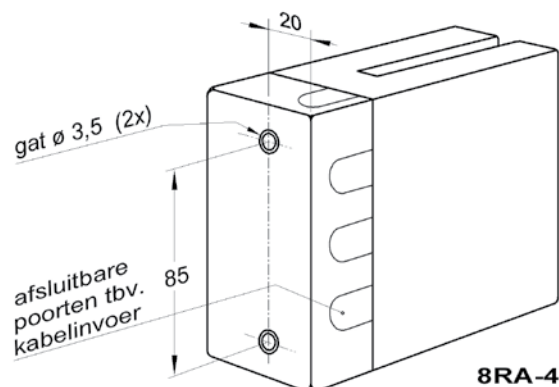
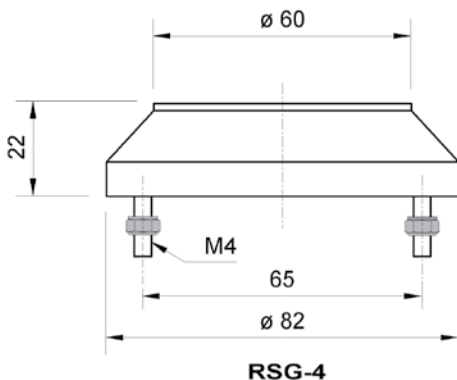
The sensor is gold-plated and corrosion resistant.

Heating elements in the sensor prevents unintended alarm when there is heavy mist or dew.

The sensitivity of the switch-over contact is adjustable on the signal converter.



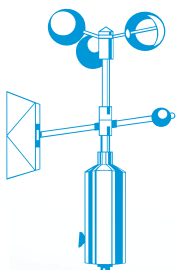
DRAWING



TECHNICAL SPECIFICATIONS

detection	rainfall & snow
power supply	230 VAC, 50/60 Hz
sensor RSG4	thermally controlled electrodes 18VDC, max 0,5 A between which the resistance is measured
output signal	potential free contact for max. 250 VAC, 8A non inductive
delay times	selectable between 10 secondes and 9,5 minutes with DIP switches
installation sensor	under an angle of 15°

made to measure



ingenieursbureau **wittich & visser**

scientific and meteorological instruments

handelskade 76
2288 bg rijswijk
the netherlands

p.o.box 1111
2280 cc rijswijk
the netherlands

tel. +31 70 3070706
fax +31 70 3070938

www.wittich.nl
info@wittich.nl