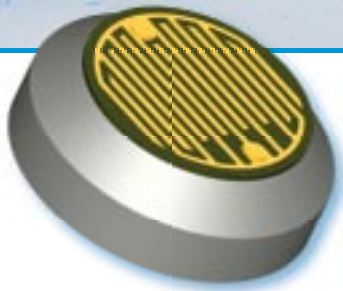


Meteo M&R

precipitation detection



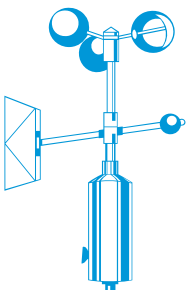
RSA(-P) precipitation detector

RELIABLE PRECIPITATION DETECTOR

FOR BUILDING/GREENHOUSE AUTOMATION & IRRIGATION PLANNING

GOLDPLATED ELECTRODES

The RSA is a rain sensor has a processor controlled relay contact and surface temperature. The instrument is ideal for climate control systems such as sun blinds and greenhouse automation. For even better climate control we have the programmable sensor RSA-P. This reliable rain sensor can be programmed en read out on PC by the user.



ingenieursbureau **wittich & visser**

scientific and meteorological instruments

precipitation detection

precipitation detector RSA(-P)

RSA

The RSA is a rain sensor has a processor controlled relay contact and surface temperature. The instrument is ideal for climate control systems such as sun blinds and greenhouse automation.

The detector has a direct switch contact output, alarm on/off delay time and switch sensitivity. The resistance variation of the gold plated electrodes is sensed and the surface temperature is maintained 10°C above ambient.

With the IP65 housing and the reliability of the electrodes proper operation is guaranteed for many years.

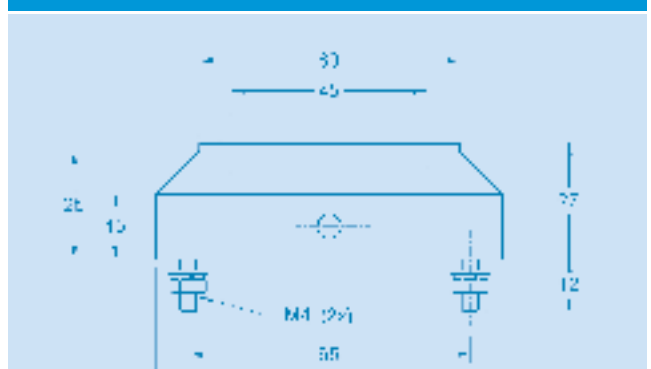
PROGRAMMABLE RSA-P

For even better climate control we have the programmable sensor RSA-P. This reliable rain sensor can be programmed and read out on PC by the user.

The rain sensor has a processor controlled relay contact and surface temperature and is ideal for climate control systems such as for sun blinds and greenhouse automation. The switch sensitivity and alarm on/off delay time are now user-programmable. A fail-safe set-up can be selected and data like resistance, surface temperature and relay status can be recorded on a PC through the RS232 port. With these data the user can fine tune the rain sensor himself.

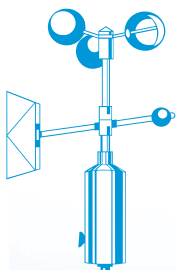
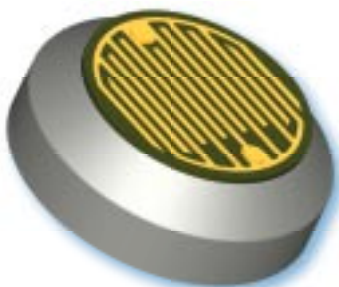


DRAWING



TECHNICAL SPECIFICATIONS

detection	rainfall and snow
principle	resistance variation measured through gold-plated detection electrodes
power supply	24 VDC or 24 VAC, \pm 200 mA
output	relay SPDT, 2A(30 VDC) or 0,5A(125 VAC)
delay	RSA-1 on 10 sec, off 5 min. RSA-3 on 10 sec, off 30 sec.
operating temp.	-25..+40 °C, 24 VAC power supply in conditions below -15 °C recommended.
dimensions	diameter 80 x 27 mm
detection surface	diameter 45 mm
mounting	2 studs ss M4 x 12 mm
cable	4 x 0,25 mm ² , L = 5 metres, shielded. (shield connected to system ground!)
protection	IP-65
weight	600 g
installation sensor	under an angle of 15 °C



ingenieursbureau **wittich & visser**

scientific and meteorological instruments

handelskade 76
2288 bg rijswijk
the netherlands

p.o.box 1111
2280 cc rijswijk
the netherlands

tel. +31 70 3070706
fax +31 70 3070938

www.wittich.nl
info@wittich.nl

made to measure